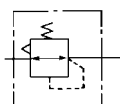


# Series *PR* 2000 • 3000 • 4000 • 5000

## Regulator



### Symbol



### Specifications

Model	PR2000	PR3000	PR4000	PR5000
Port size (Rc(PT)/NPT)	1/8", 1/4"	1/4", 3/8"	3/8", 1/2"	3/4", 1"
Max. Supply Pressure	1.5MPa(213PSI)			
Max. Operating Pressure	990KPa(150PSI)			
Regulating Range	50~850kpa(7~125 PSI)			
Port size for Pressure Gauge	1/8"(Rc(PT)/NPT)			
Ambient and Media Temperature	5~60°C (40~140°F)			
Construction	Relieving type			
Weight kgf(lbf)	0.21(0.46)	0.14(0.90)	0.84(1.85)	1.14(2.5)

### Accessories(Optional)

Name	Part No.			
	PR2000	PR3000	PR4000	PR5000
Bracket	PC2000-43-6035	TAR3000-43-6005	TAC4000-09-6003	TAC4000-09-6003
Pressure Gauge	1.05MPa	TAR4000-16A-6001		
	150 PSI	UPR4000-16-6001U		

## How to Order

UPR **30** 00 — **03** **BG** —

1      2      3      4      5      6

**1 Port**  
Blank : Rc(PT)  
U : NPT

**2 Body Size (NPT)**  
20 : 1/4"  
30 : 3/8"  
40 : 1/2"  
50 : 1"

**3 Thread**  
Blank : Rc(PT)  
G : Rc(PF)

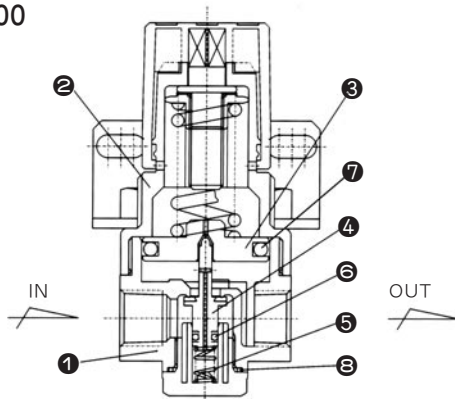
**4 Port Size**  
01 : 1/8"  
02 : 1/4"  
03 : 3/8"  
04 : 1/2"  
06 : 3/4"  
10 : 1"

**5 Accessory**  
B : Bracket  
G : Pressure gauge

**6 Special Option**  
Blank : Standard type  
XC16 : Copper-free

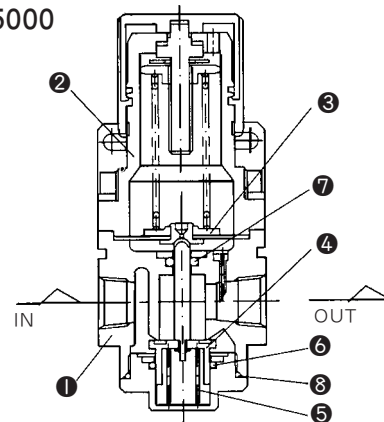
## Construction/Parts List

PR2000



Piston Type

PR3000 · 4000 · 5000



Diaphragm Type

### Main Parts

No.	Name	Material				Note
		PR2000	PR3000	PR4000	UPR5000	
①	Body	Aluminum Die Cast				Baked Enamel Paint(Powder Coating)
②	Bonnet	Polyacetal Aluminum Die Cast				Black Paint

### Parts List

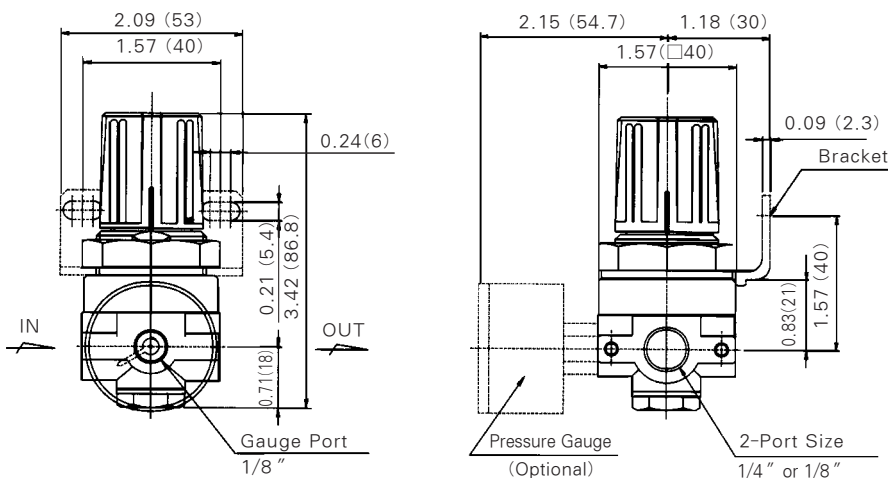
No.	Parts Name	Material	Part No.			
			PR2000	PR3000	PR4000	PR5000
③	Diaphragm Ass'y	NBR	※PR2000-13A-6035	TAR3000-13A-6005	TAR4000-13-6001	TAR4000-13A-6001
④	Valve Ass'y	Brass · NBR	PR2000-10A-6035	TAR3000-10A-6005	TAR4000-10-6001	PR5000-10A-6072
⑤	Valve Spring	Stainless Steel	PR2000-17-6035	TAR3000-17-6005	TAR4000-17-6001	TAR4000-17-6001
⑥	Valve O-ring	NBR	PR2000-07-6035	P-14	TAR4000-07-6001	TAR4000-07-6001
⑦	O-ring	NBR	-	TAR4000-04-6001	TAR4000-04-6001	TAR4000-04-6001
⑧	O-ring	NBR	CA63-1608	TAR3000-27-6005	TAR4000-27-6001	TAR4000-27-6001

※ PR2000 Piston Type.

## Dimensions

inch(mm)

PR2000

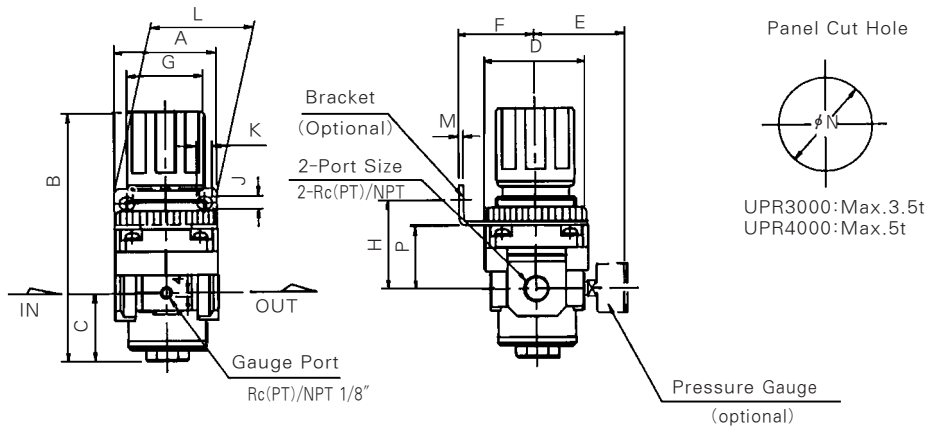


# Series PR

## Dimensions

inch(mm)

### PR3000 • 4000



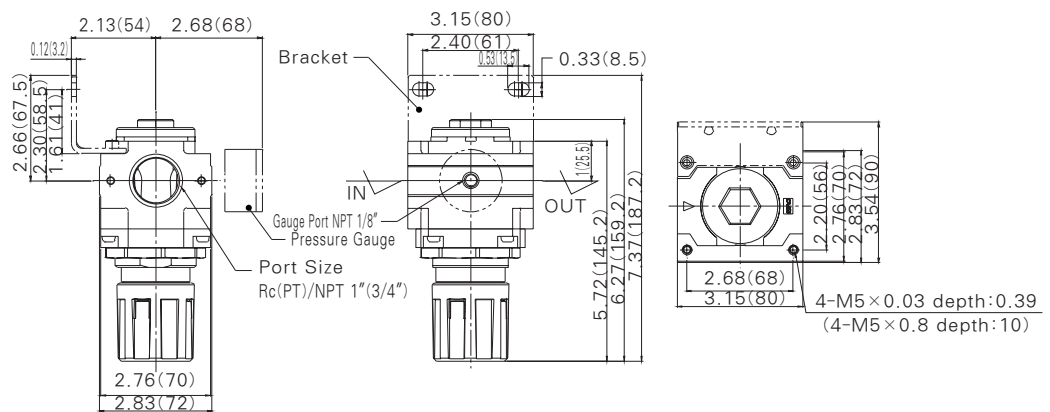
inch(mm)

Model	Port Size Rc(PT)/NPT	A	B	C	D	E	F	G	H	J	K	M	φN	P
PR3000	1/4" · 3/8"	2.09 (53)	4.88 (124)	1.38 (35)	2.09 (53)	2.62 (61.5)	1.61 (41)	1.58 (40)	1.81 (46)	0.26 (6.5)	0.32 (8)	0.09 (2.3)	1.67 (42.5)	1.28 (32.5)

## Dimensions

inch(mm)

### PR5000



inch(mm)

Model	Port Size Rc(PT)/NPT	A	B	C	D	E	F	G	H	J	K	M	φN	P
PR4000	3/8" · 1/2"	2.76 (70)	5.89 (149.5)	1.48 (37.5)	2.76 (70)	2.62 (66.5)	1.97 (50)	2.13 (54)	2.13 (54)	0.33 (8.5)	0.41 (10.5)	0.09 (2.3)	2.07 (52.5)	1.42 (30)